

DH serials waterproof connector application

DH series waterproof connector,with the characteristics of firmness, precision and stable electrical performance ,and be used in various mechanical equipment ,such as medical equipment ,robot and unmanned aerial vehicles.

DH series connectors are precise and strong, providing power supply, signal and data connection solutions for many mechanical devices.Suitable for front and rear plate installation equipment ,can also be used for outside system equipment.

- DH series product information

DH series coding: DH-20 、 DH-24

opening size: M20、 M24

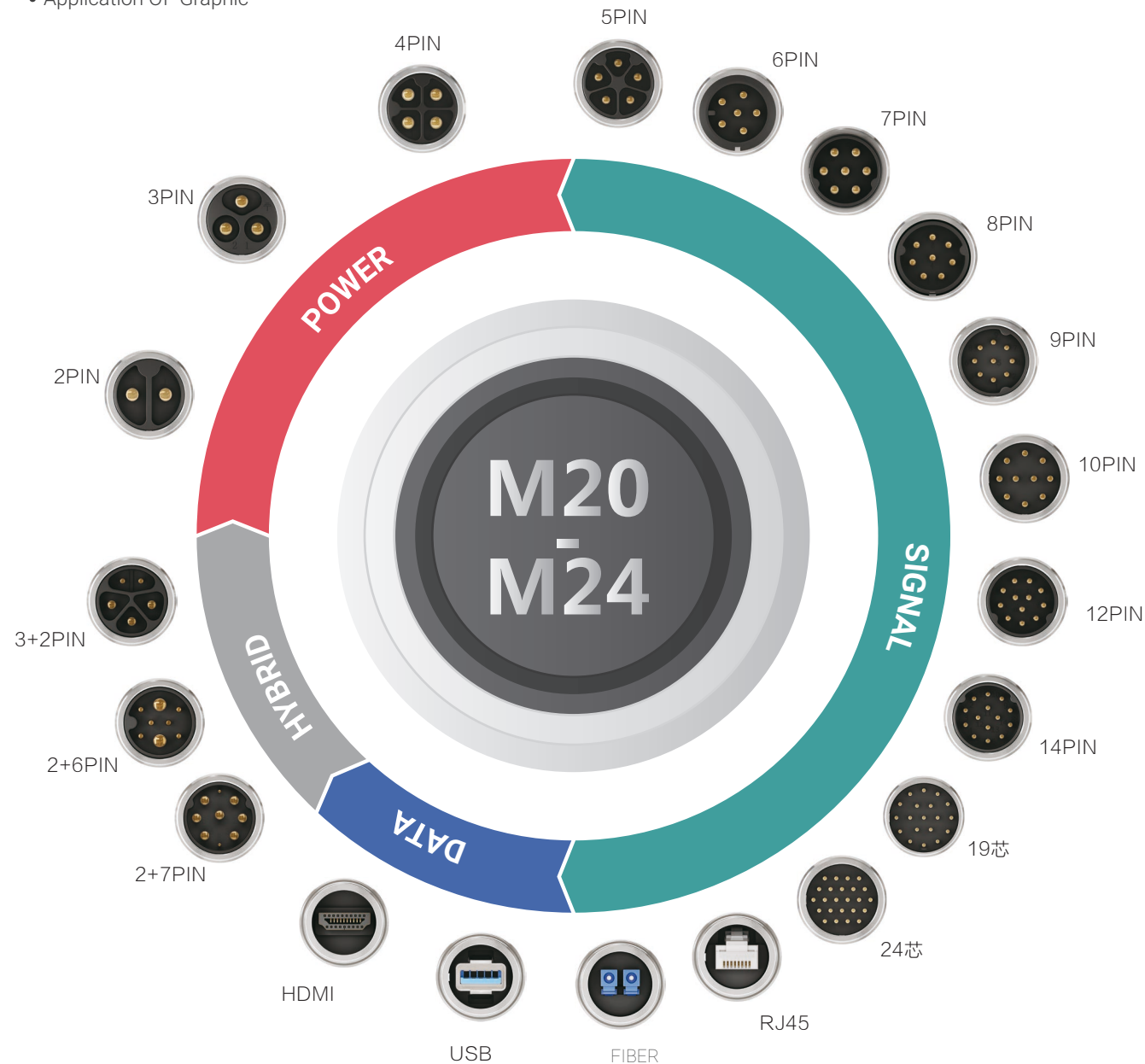
Multi-pins : 2/3/4/5/6/7/9/10/12/19/24 and customized 3+2 2+6 2+7 ,etc.

Signal (RJ45, Optic Fiber)

Data: (USB2.0 、 USB3.0、 HDMI)

Material type: Materials Metal

- Application Of Graphic



DH20 Information Summary

Product Application:

Power: 2/3/4/5pin

Signal: 7/8/9/12/14pin

The voltage can arrive 500v when the power connection is working, rated current 20A (2~4pin)12A(5、 7pin),5A(9、 12、 14pin),the shielded connector can be chosen.

- Multi-core

Cable Range: ϕ 5.0~ ϕ 13.0mm

DH24 Information Summary

Product Application:

Power: 3/4/5pin

Signal: 7/8/9/12//10/19/24pin、 RJ45、 FIBRE

Data: USB、 HDMI

The voltage can arrive 500v when the power connection is working, rated current 22A(3、 4pin),10A (10、 12pin),5A(19、 14pin) ,the shielded connector can be chosen.

- Multi-core

Power Cable range: ϕ 10.0~ ϕ 14.0mm

- Signal Type

RJ45 Cable Range: ϕ 5.0~ ϕ 6.5mm

FIBRE Cable Range: ϕ 5.0~ ϕ 6.5mm

- Data Type

USB Cable Range: ϕ 5.0~ ϕ 6.5mm

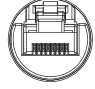









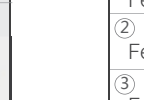

HDMI Cable Range: ϕ 5.0~ ϕ 6.5mm



DH-24 Data Sheet

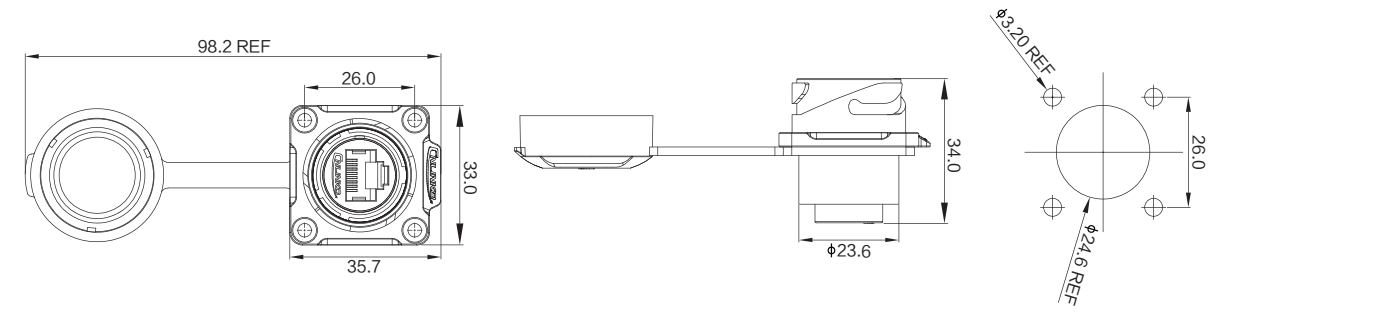
| | | | | | | | | | | | | | | | | | |
|--------------------------------------------------|------------------------------|-----------------------------------|------------------------------------------------------|---------------------------|---------------------------|-----------------------------------|---------------------------|---------------------------|--------------|------------------------------------|--------------|---------|--------------|-------------|------|-----|-------|
| M24 Power + Signal | Product Series | DH-24 | | | | | | | | | | | | | | | |
| | Pin Number | 3PIN | | 4PIN | | 10PIN | | 12PIN | | 19PIN | | 24PIN | | RJ45 | HDMI | USB | FIBER |
| | Section diagram | PIN | Mounting | PIN | Mounting | PIN | Mounting | PIN | Mounting | PIN | Mounting | PIN | Mounting | | | | |
| | Current Rating | 25A | | | | 10A | | | | 5A | | | | — | | — | |
| | Voltage Rating | AC 500V | | | | AC 400V | | | | AC 250V | | | | — | | — | |
| | Cable range | Ø10.0~Ø14.0mm | | | | Ø10.0~Ø13.0mm | | | | Ø8.0~Ø14.0mm | | | | Ø5.0~Ø6.5mm | | | |
| | Wire Gauge | 2.5~4.0mm ² /14 -12AWG | | | | 1.0~1.5mm ² /18 -16AWG | | | | 0.15~0.2mm ² /26 -24AWG | | | | 26-24AWG | | | |
| | IP Protection Class (Mated) | IP67 (Mated) | | | | | | | | | | | | | | | |
| | Termination | Soldering | | | | | | | | | | | | | | | |
| | Product Picture | material | Part Number (The bold font is a best-sell products) | | | | | | | | | | | | | | |
| Cable connector 3/4芯 10/12/19/24芯 | Metal | Male | DH-24-C03PE-03-001 | DH-24-C04PE-03-001 | DH-24-C10PE-03-001 | DH-24-C12PE-03-001 | DH-24-C19PE-03-001 | DH-24-C24PE-03-001 | — | — | — | — | — | — | — | — | |
| | | Female | DH-24-J03PE-03-001 | DH-24-J04PE-03-001 | DH-24-J10PE-03-001 | DH-24-J12PE-03-001 | DH-24-J19PE-03-001 | DH-24-J24PE-03-001 | — | — | — | — | — | — | — | — | — |
| In-line Cable connector 3/4芯 10/12/19/24芯 | | Female | DH-24-J03PP-03-001 | DH-24-J04PP-03-001 | DH-24-J10PP-03-001 | DH-24-J12PP-03-001 | DH-24-J19PP-03-001 | DH-24-C24PP-03-001 | — | — | — | — | — | — | — | — | — |
| Flange Mounting 3/4芯 10/12/19/24芯 | | Male | DH-24-C03SX-03-401 | DH-24-C04SX-03-401 | DH-24-C10SX-03-401 | DH-24-C12SX-03-401 | DH-24-C19SX-03-401 | DH-24-C24SX-03-401 | — | — | — | — | — | — | — | — | — |
| | | Female | DH-24-J03SX-03-401 | DH-24-J04SX-03-401 | DH-24-J10SX-03-401 | DH-24-J12SX-03-401 | DH-24-J19SX-03-401 | DH-24-J24SX-03-401 | — | — | — | — | — | — | — | — | — |
| Panel Mounting Rear Locking | | Male | DH-24-C03SX-03-101 | DH-24-C04SX-03-101 | DH-24-C10SX-03-101 | DH-24-C12SX-03-101 | DH-24-C19SX-03-101 | DH-24-C24SX-03-101 | — | — | — | — | — | — | — | — | — |
| | | Female | DH-24-J03SX-03-101 | DH-24-J04SX-03-101 | DH-24-J10SX-03-101 | DH-24-J12SX-03-101 | DH-24-J19SX-03-101 | DH-24-J24SX-03-101 | — | — | — | — | — | — | — | — | — |
| Flange Mounting with Metal chain | | Male | DH-24-C03SX-03-402 | DH-24-C04SX-03-402 | DH-24-C10SX-03-402 | DH-24-C12SX-03-402 | DH-24-C19SX-03-402 | DH-24-C24SX-03-402 | — | — | — | — | — | — | — | — | — |
| | | Female | DH-24-J03SX-03-402 | DH-24-J04SX-03-402 | DH-24-J10SX-03-402 | DH-24-J12SX-03-402 | DH-24-J19SX-03-402 | DH-24-J24SX-03-402 | — | — | — | — | — | — | — | — | — |

DH-24 Data Sheet

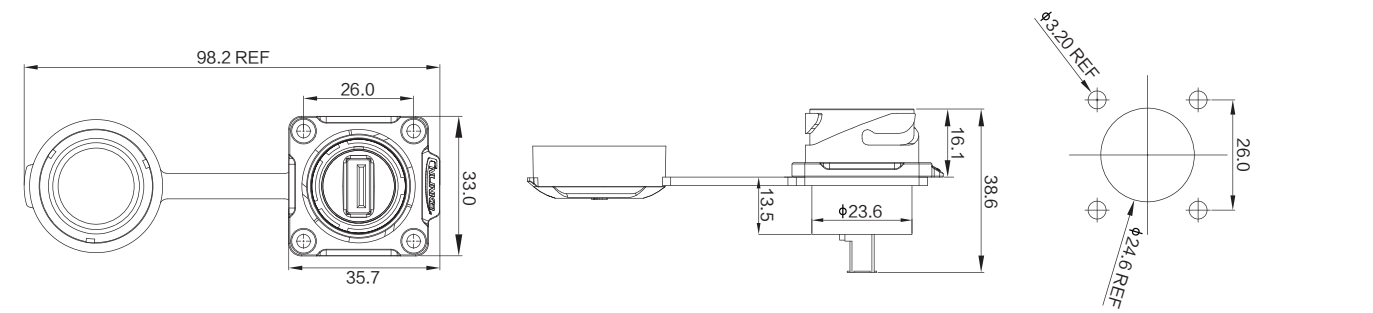
| | | | | | |
|-------------------------------------------------------------------------------------------------------------------------------------------------------------------------------------------------------------------------------------------------------------------|-----------------------------|-----------------------------------------------------------------------------------|-----------------------------------------------------------------------------------|-------------------------------------------------------------------------------------|-------------------------------------------------------------------------------------|
| M24 Power + Signal | Product Series | DH-24 | | | |
| | Pin Number | RJ45 | HDMI | USB | FIBER |
| | Section diagram |  |  |  |  |
| | Current Rating | — | | | — |
| | Voltage Rating | — | | | — |
| | Cable range | Ø5.0~Ø6.5mm | | | |
| | Wire Gauge | 26-24AWG | | | — |
| | IP Protection Class (Mated) | IP67 (Mated) | | | |
| | Termination | Soldering | | | |
| | Product Picture | material | Part Number | | |
| RJ45 | Metal | Male | DH-24-C/RJ45/015/PE-43-001 | | |
|   | | ① Female | DH-24-J/RJ45/213/SX-43-401 | | |
| | | ② Female | DH-24-J/RJ45/213/SX-43-402 | | |
| FIBER | | Male | DH-24-C/LC/016/PE-43-001 | | |
|   | | ① Female | DH-24-J/LC/213/SX-43-401 | | |
| | | ② Female | DH-24-J/LC/213/SX-43-101 | | |
| USB | | Male | DH-24-C/USB3/016/PE-43-001 | | |
|    | | ① Female | DH-24-J/USB3/213/SX-43-401 | | |
| | | ② Female | DH-24-J/USB3/213/SX-43-402 | | |
| | | ③ Female | DH-24-J/USB3/213/SX-43-402 | | |
| HDMI | | Male | DH-24-C/HDMI2/016/PE-43-001 | | |
|  | | Female | DH-24-J/HDMI2/213/SX-43-402 | | |

DH-24 Appearance Dimension

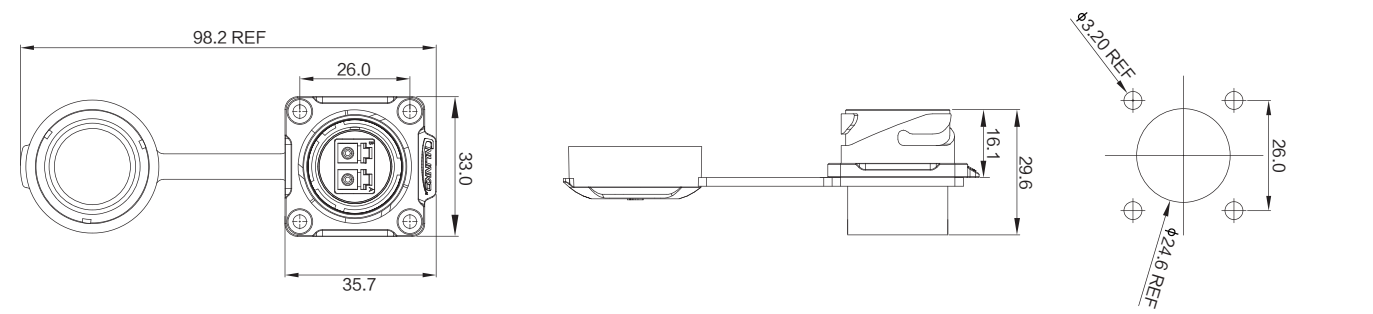
RJ45 Flange Panel Mounting



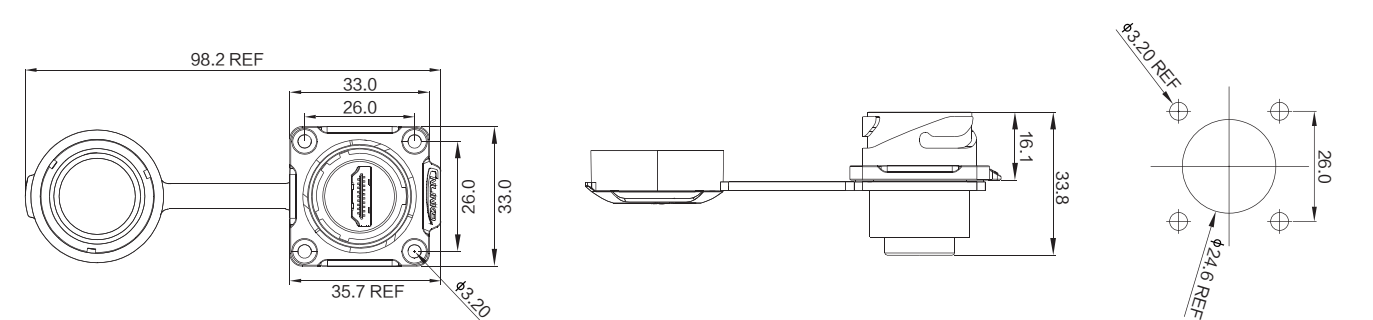
USB Flange Panel Mounting



FIBER Flange Panel Mounting

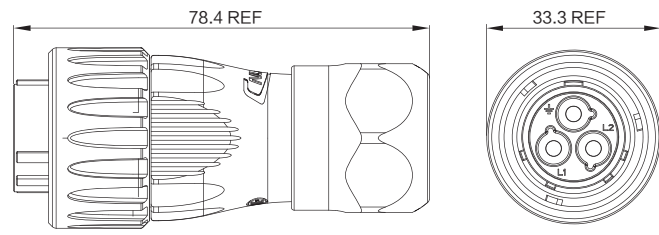


HDMI Flange Panel Mounting

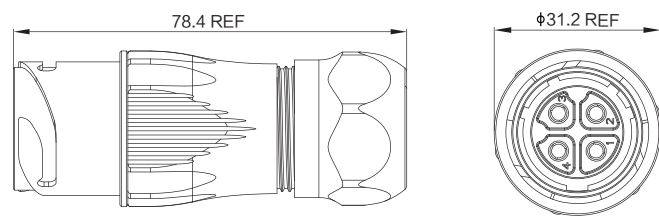


DH-24 Appearance Dimension

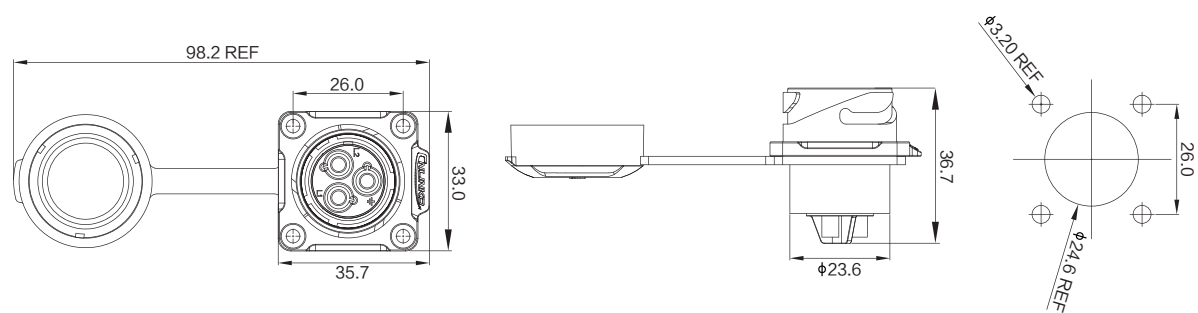
Cable connector



In-line Cable connector



Flange Mounting



Panel Mounting Rear Locking

